

Rack, Cabinets & Accessories

» Floor Cabinets

Relay Racks

Wall Mount Cabinets

Cabinet & Rack Accessories

Aisle Containment

VE Cabinets



Standard

- Comply with ANSI/EIA RS-310-D, IEC60297-2, DIN41494;PART1; DIN41494;PART7.

Material

- SPCC Cold Rolled Steel;
- 19" rails: 2.0mm;
- Casters tray:2.0mm;
- others:1.2mm.

Colour

- VE ■■■■■ 0■■■:RAL7035.
- VE ■■■■■ 1■■■:RAL7021.

Loading Capacity

- Static loading:1300KG.

VE Cabinets



Feature

- Packaging: VE cabinets could be shipped in disassembled packing, saving transportation and storage cost.
- New appearance design :Side door: split into 2 parts, lockable with square locks.
- Front and rear door: pluggable front door and rear doors, with external hinges.
- Casters: built-in installation design.
- Frame: duplex profile frames with patent, could be connected by 8 pieces of screws.
- Front and rear doors: "two points" locking design making doors and frames closed tighter, turning angle up to 180 degrees.
- Cable entries on top and bottom: sliding and adjustable cable entries on top and bottom, edges of cable entries are with the design to prevent wires from scratching.
- Fan unit: installed from top outside of cabinet, easy to install and maintain.
- Mounting rails: installation positions of mounting rails could be adjusted quickly. Dedicated channel alignment reserved in internal of cabinets.
- Cabinet structure: patented structure.
- Maximum loading capacity: 1300kg.



■ 19" mounting angle with scale enables users to precisely locate profile.



■ 19" zinc coated profile with scale.



■ Multi-function cable manger is available in the rear.



■ Safty Warning label.



■ Cable Entrance in the bottom is adjustable.

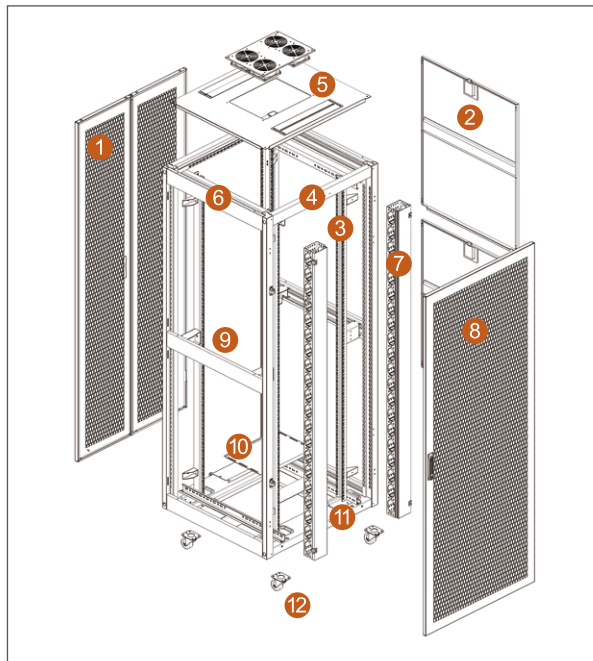


■ Cable manager with cover is available for 800mm width cabinet .

VE SERVER CABINETS

Main Part

S/N	Specification	Qty	Material	Surface Finish	Remark
1	Rear door	1	----	----	See front&rear door type
2	Side panel	4	SPCC t1.2	Powder coated	
3	19" rails	4	T2.0	zinc-plated	
4	Front beam	2	SPCC t1.5	Powder coated	
5	Top cover	1	SPCC t1.2	Powder coated	
6	Side frame	2	SPCC t1.2	Powder coated	
7	Cable management slot	2	SPCC t1.0	Powder coated	Only used for 800 width cabinet
8	Front door	1	----	----	See front&rear door type
9	Mounting spacer	4	T2.0	zinc-plated	Only used for 800 width cabinet
10	Bottom	1	SPCC t1.0	Powder coated	
11	Caster tray	2	SPCC t2.0	Powder coated	
12	2" heavy duty castor	4	----	----	----
hardware kits with cabinet:					
A	M12 adjustable feet	4	Steel	zinc-plated	Height:100MM
B	M6 screw& nuts	20/40	Steel	zinc-plated	40pcs for over 33U



Ordering Information

VE ■ ■ ■ ■ ■ 00

Definition of color:0-RAL7035; 1-RAL7021

Definition of rear door:
 1-Tempered glass door with striped hole;
 4-Sheet steel door with hexagon hole;
 5-High-density vented door;
 6-High density double opened door with damper.

Definition of front door:
 1-Tempered glass door with striped hole;
 4-Sheet steel door with hexagon hole;
 5-High-density vented door;
 6-High density double opened door with damper.

Cabinet capacity:(U)

Cabinet depth:(MM): 6=600;8=800;0=1000;

Cabinet width:(MM): 6=600;8=800

VE SERVER CABINETS

Ordering Information

Part Number.	Width (mm)	Depth(D)(mm)	Capacity (U)	Height(H)(mm)	CKD packing parts
VE.6624. ■■■. ■00	600	600	24	1200	3
VE.6642. ■■■. ■00			42	2000	
VE.6824. ■■■. ■00		800	24	1200	
VE.6842. ■■■. ■00			42	2000	
VE.6042. ■■■. ■00			42	2000	
VE.8842. ■■■. ■00	800	800	42	2000	4
VE.8042. ■■■. ■00		1000	42	2000	



- Front&Rear Door(type 1)
Tempered glass door
long-handled lock
180°Maximum opening angle;
- Material:Sheet steel 4MM
safety glass
- Surface Finish:Powder coated
- Colour: RAL7035; RAL7021



- Front&Rear Door(type 4)
Sheet steel door with hexagon
hole.Long-handled lock;
180°Maximum opening angle;
- Material:Sheet steel
- Surface Finish:Powder coated
- Colour: RAL7035; RAL7021



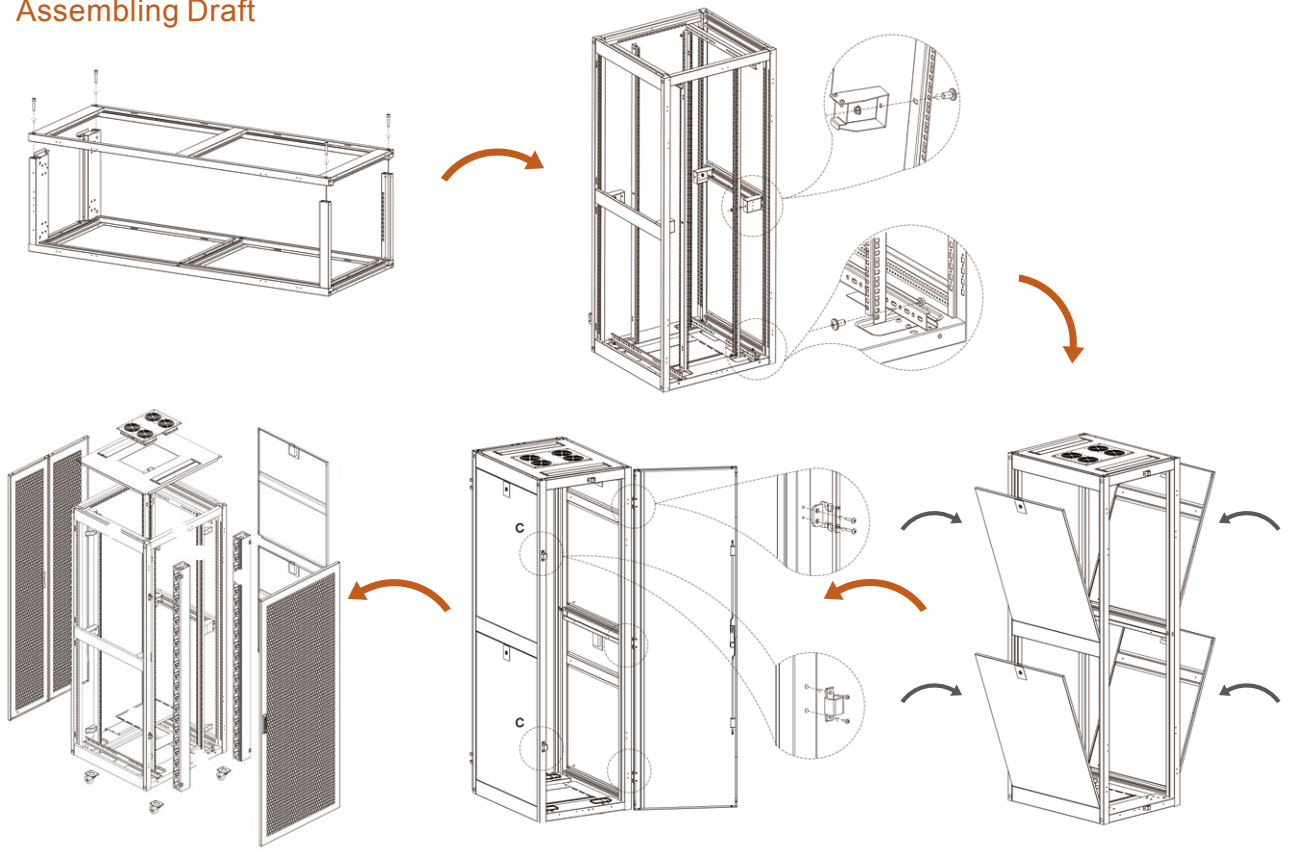
- Front&Rear Door(type 5)
High-density vented door;
Slotted surface(SW7 hexagon)
Air inlet opening>67%;
long-handled lock;
180°Maximum opening angle;
- Material:Sheet steel
- Surface Finish: Powder coated
- Colour: RAL7035; RAL7021



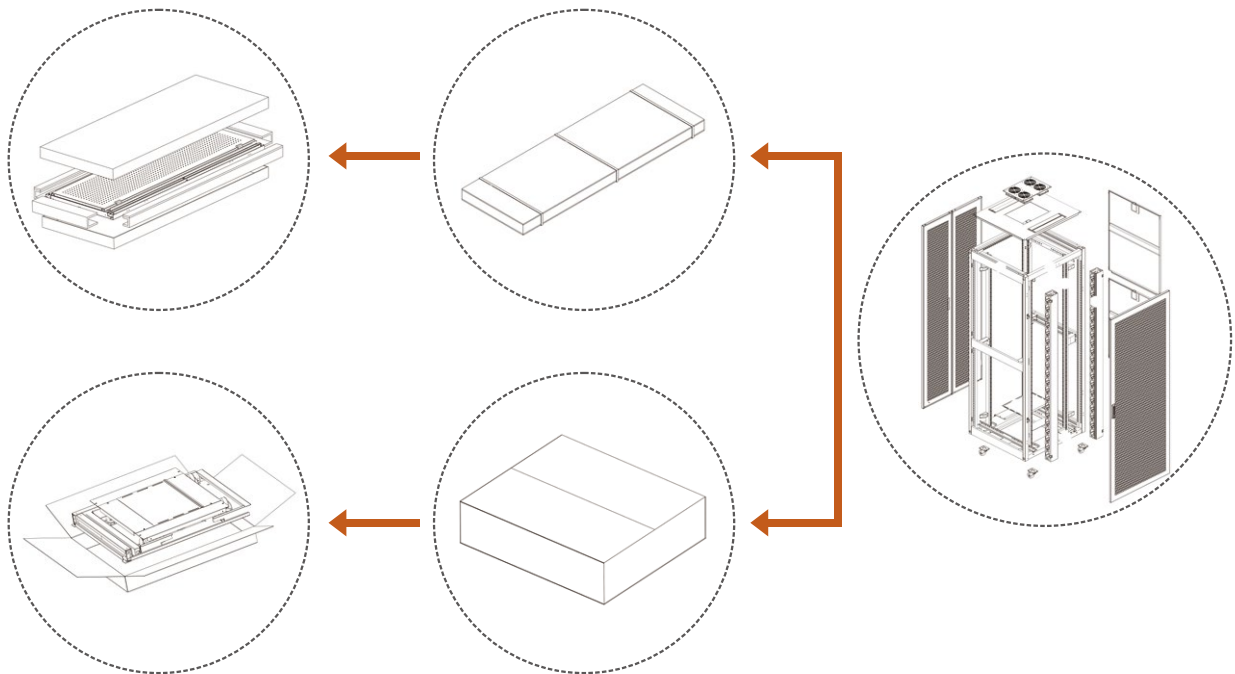
- Front&Rear Door(type 6)
High density double opened damper
(SW7 hexagon) Air inlet opening>67%;
long-handled lock;
180°Maximum opening angle;
- Material:Sheet steel
- Surface Finish; Powder coated
- Colour: RAL7035; RAL7021

VE SERVER CABINETS

Assembling Draft



CKD Packing



601S Cabinets



Standard

- Comply with ANSI/EIA RS-310-D、IEC60297-2、DIN41494; PART1;DIN41494;PART7

Material

- SPCC Cold Rolled Steel ;
- 19" rails : 2.0mm, side panel:1.0mm others: 1.2mm

Colour

- 601S ■■■■■■ 0■■:RAL7035
- 601S ■■■■■■ 1■■:RAL9004

Loading Capacity

- Static loading: 800KG

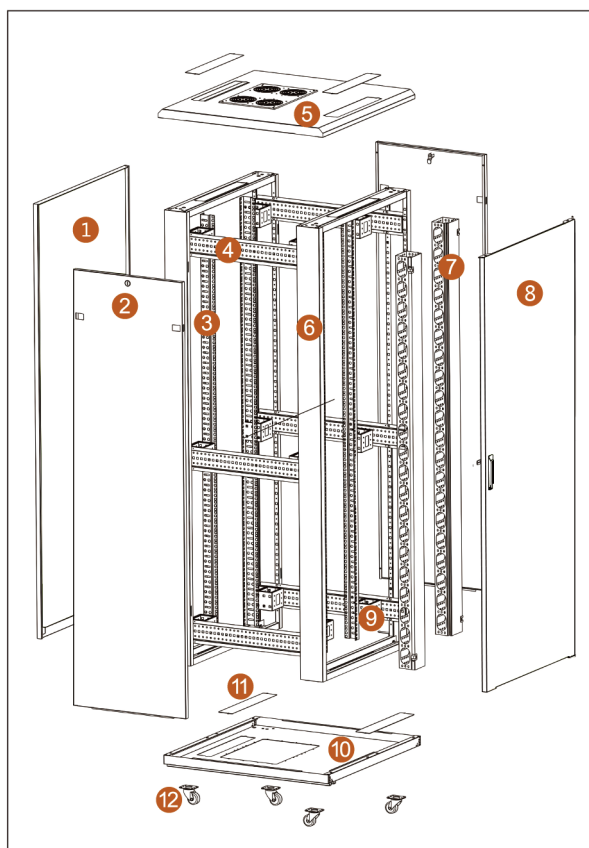
Feature

- Exquisite design with precise dimension and craftsmanship;
- Several styles of front and rear doors options available;
- Adjustable feet and heavy duty castors are available simultaneously;
- Cable entry on the top cover and bottom panel with adjustable sizes ;
- Optional installation of plinth to enable cabinets fixation, under-base cable entry/ventilation;
- Efficient and reliable cabinet connection by buying kit;
- Removable side panels to ease maintain.

601S NETWORK CABINETS

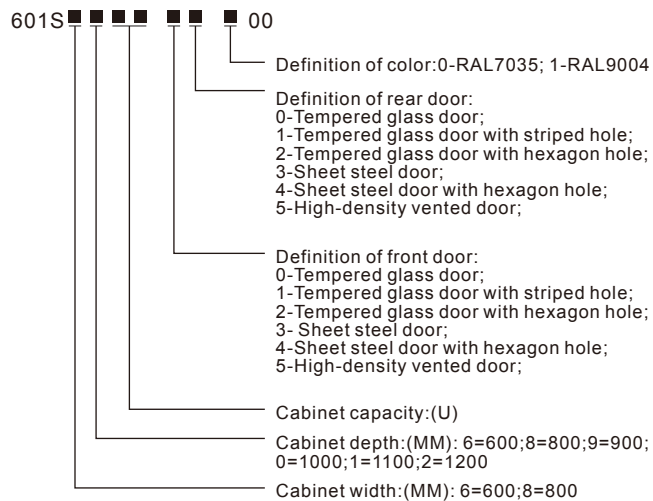
Main Part

S/N	Specification	Qty	Material	Surface Finish	Remark
1	Rear door	1	----	----	See front&rear door type
2	Side panel	2	SPCC t1.0	Powder coated	Small round lock
3	19" rails	4	SPCC t2.0	zinc-plated	
4	Mounting angle	4/6	SPCC t1.2	Powder coated	6pcs for over 33U
5	Top cover	1	SPCC t1.2	Powder coated	
6	Frame	2	SPCC t1.2	Powder coated	
7	Cable management slot	2	SPCC t1.0	Powder coated	Only used for 800 width cabinet
8	Front door	1	----	----	See front&rear door type
9	Mounting spacer	8/12	SPCC t1.2	Powder coated	6pcs for over 33U Only used for 800 width cabinet :
10	Bottom	1	SPCC t1.2	Powder coated	
11	cable entry panel	4	SPCC t1.2	Powder coated	
12	2" heavy duty castor	4	----	----	----
hardware kits with cabinet:					
A	M12 adjustable feet	4	Steel	Zinc-plated	Height:100MM
B	M6 screw& nuts	20/40	Steel	Zinc-plated	40pcs for over 33U
C	Trox tooling	1	Steel	Zinc-plated	----



- Right-angled frame enables users to easily place the logo.
- Easily connected and removed earth cable available.

Definition Of Code



601S NETWORK CABINETS

Specification

Part Number.	Width (mm)	Depth(D) (mm)	Capacity (U)	Height(H) (mm)	CKD packing parts			
601S.6615. ■■■. ■00	600	600	15	800	3			
601S.6620. ■■■. ■00			20	1022				
601S.6624. ■■■. ■00			24	1200				
601S.6629. ■■■. ■00			29	1422				
601S.6633. ■■■. ■00			33	1600				
601S.6638. ■■■. ■00			38	1822				
601S.6642. ■■■. ■00			42	2000				
601S.6647. ■■■. ■00			47	2222				
601S.6815. ■■■. ■00		800	800	15		800	3	
601S.6820. ■■■. ■00				20		1022		
601S.6824. ■■■. ■00				24		1200		
601S.6829. ■■■. ■00				29		1422		
601S.6833. ■■■. ■00				33	1600			
601S.6838. ■■■. ■00				38	1822			
601S.6842. ■■■. ■00				42	2000			
601S.6847. ■■■. ■00				47	2222			
601S.6938. ■■■. ■00		900	900	38	1822	3		
601S.6942. ■■■. ■00				42	2000			
601S.6947. ■■■. ■00				47	2222			
601S.6038. ■■■. ■00		1000	1000	38	1822			3
601S.6042. ■■■. ■00				42	2000			
601S.6047. ■■■. ■00				47	2222			
601S.8638. ■■■. ■00		800	600	38	1822		4	
601S.8642. ■■■. ■00				42	2000			
601S.8647. ■■■. ■00	47			2222				
601S.8838. ■■■. ■00	800		800	38	1822			
601S.8842. ■■■. ■00				42	2000			
601S.8847. ■■■. ■00				47	2222			
601S.8938. ■■■. ■00	900		900	38	1822			
601S.8942. ■■■. ■00				42	2000			
601S.8947. ■■■. ■00				47	2222			
601S.8038. ■■■. ■00	1000		1000	38	1822			
601S.8042. ■■■. ■00				42	2000			
601S.8047. ■■■. ■00				47	2222			

601S NETWORK CABINETS



- Front & rear door (type 0)
Tempered glass door.
Small lock;
Reversible right or left handed doors;
Turning angle is over 180 degrees;
- Material:
Sheet steel
5MM safety glass
- Surface Finish: Powder coated
- Color: RAL7035; RAL9004



- Front & rear door (type 1)
Tempered glass door with striped hole.
Gray decoration bar;
Small lock;
Reversible right or left handed doors;
Turning angle is over 180 degrees;
- Material:
Sheet steel
5MM safety glass
- Surface Finish: Powder coated
- Color: RAL7035; RAL9004



- Front & rear door (type 2)
Tempered glass door with net hole.
Gray decoration bar;
Lock with comfort handle;
Reversible right or left handed doors;
Turning angle is over 180 degrees;
- Material:
Sheet steel
5MM safety glass
- Surface Finish: Powder coated
- Color: RAL7035; RAL9004



- Front & rear door (type 3)
Sheet steel door.
Small lock;
Reversible right or left handed doors;
Turning angle is over 180 degrees;
- Material:
Sheet steel
- Surface Finish: Powder coated
- Color: RAL7035; RAL9004



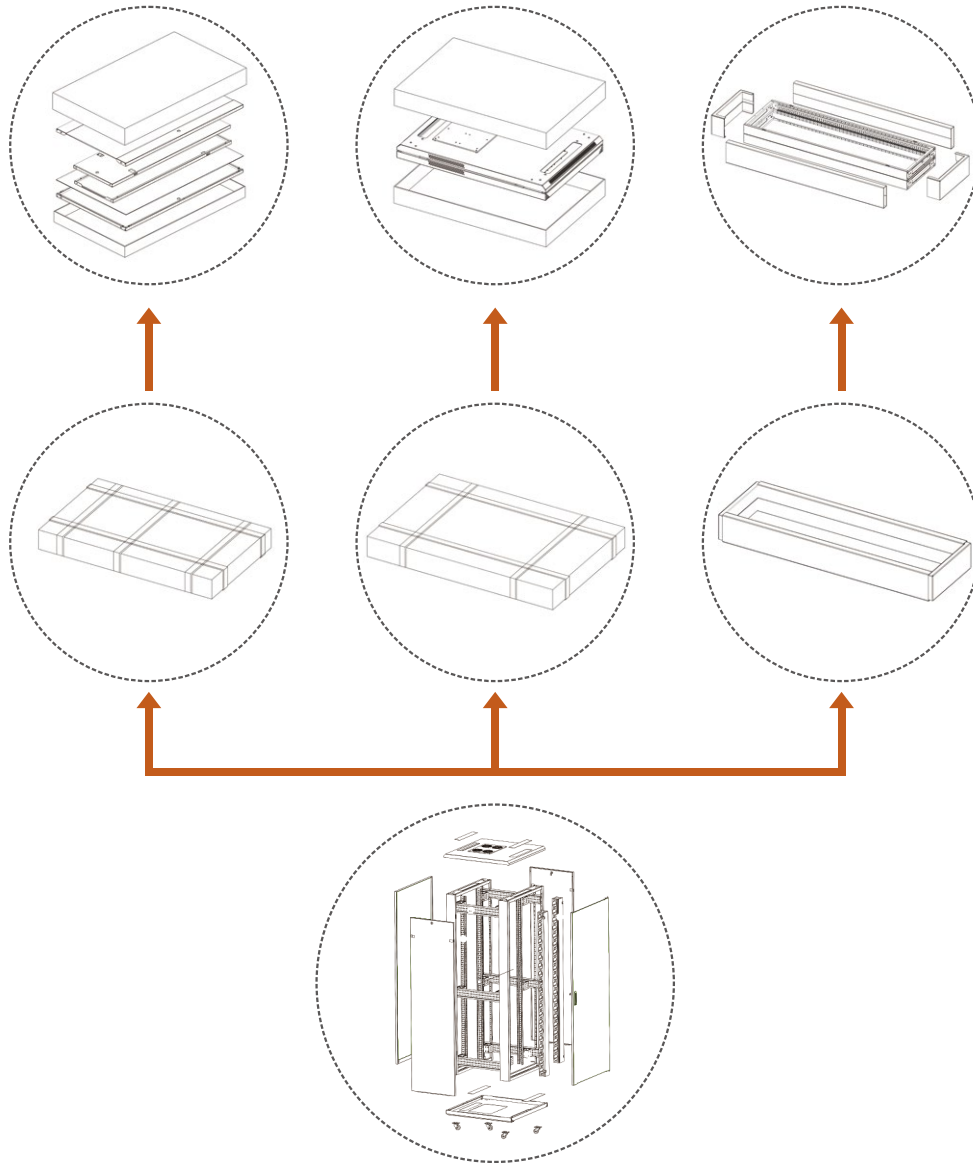
- Front & rear door (type 4)
Sheet steel door with hexagon hole.
Small lock;
Reversible right or left handed doors;
Turning angle is over 180 degrees;
- Material:
Sheet steel
- Surface Finish: Powder coated
- Color: RAL7035; RAL9004



- Front & rear door (type 5)
High-density vented door;
Slotted surface (SW7 hexagon) Air inlet opening >60%;
Lock with comfort handle;
Reversible right or left handed doors;
Turning angle is over 180 degrees;
- Material: Sheet steel
- Surface Finish: Powder coated
- Color: RAL7035; RAL9004

601S NETWORK CABINETS

CKD Packing



603 Cabinets



Standard

- Comply with ANSI/EIA RS-310-D, IEC60297-2, DIN41494; PART1; DIN41494; PART7 .

Material

- SPCC Cold Rolled Steel;
- 19" rails : 2.0mm, frame: 1.5mm, others: 1.2mm.

Colour

- 603 ■■■■■■ 0■■:RAL7035.
- 603 ■■■■■■ 1■■:RAL9004.

Loading Capacity

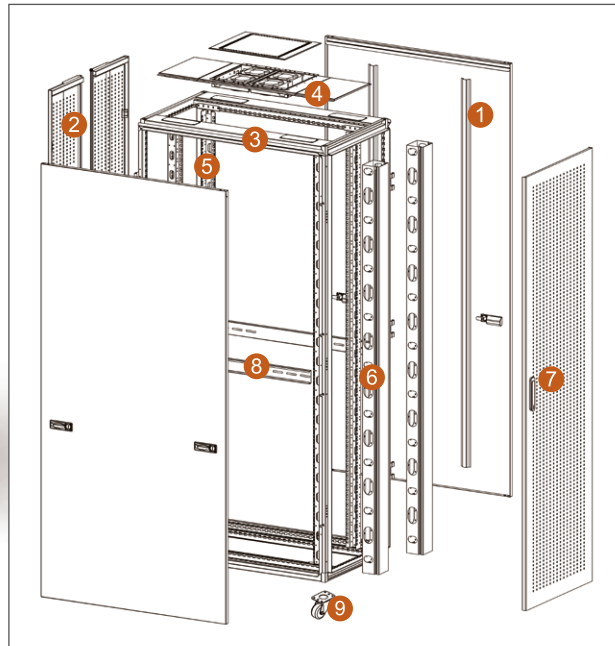
- Static loading:1000KG.

603 SERVER CABINETS



Feature

- Reticular high-density vented front door (patent) & rear door for protection, ventilation and reliable operation.
- Exquisite image (patent) with precise dimension and craftsmanship.
- Lockable cable entry on top cover and bottom panel with adjustable sizes.
- Optional plinth enables cabinets to stay in a fixed position while meeting requirements of under-base wiring/ventilation and rat prevention.
- Strong cabinet connection by baying kit (patent).
- Lock with handle.



Main Part

S/N	Specification	Qty	Material	Surface Finish	Remark
1	Side panel	2	SPCC t1.2	Powder coated	
2	Rear door	1	SPCC t1.2	Powder coated	Double high-density vented
3	Frame	1	SPCC t1.5	Powder coated	
4	Top cover	1	SPCC t1.2	Powder coated	----
5	19" rails	4	SPCC t2.0	Powder coated	
6	Cable management slot	2	SPCC t1.0	Powder coated	Only used for width 800mm cabinet
7	Front door	1	SPCC t1.2	Powder coated	High-density vented
8	Mounting plate	2	SPCC t1.5	Powder coated	----
9	2" heavy duty castor	4	----	----	----
A	M12 adjustable feet	4	----	v	----
B	M6 screw& nuts	20	Steel	Color zinc	40pcs for over 33U
C	Trox tooling	1	Steel	Color zinc	----

Support 19" EIA equipment.
The 600mm width cabinet can be changed to the 800mm width one, only need to put the connecting panel and 2 cable management slots.

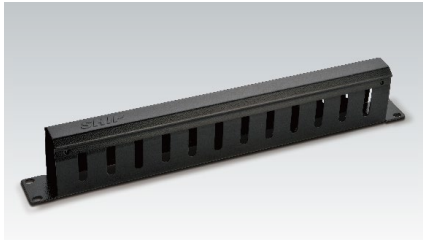
603 SERVER CABINETS

Specification

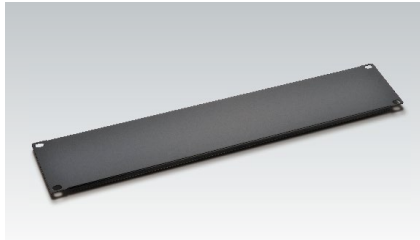
Model N o.	Capacity (U)	Width (mm)	Depth(D)(mm)	Height(H)(mm)	Packing dimension W*D*H	
603.6633.55. ■00	33	600	600	1600	670*670*1700	
603.6638.55. ■00	38			1800	670*670*1900	
603.6642.55. ■00	42			2000	670*670*2100	
603.6647.55. ■00	47			2200	670*670*2300	
603.6833.55. ■00	33		800	800	1600	670*870*1700
603.6838.55. ■00	38				1800	670*870*1900
603.6842.55. ■00	42				2000	670*870*2100
603.6847.55. ■00	47				2200	670*870*2300
603.6933.55. ■00	33		900	900	1600	670*970*1700
603.6938.55. ■00	38				1800	670*970*1900
603.6942.55. ■00	42				2000	670*970*2100
603.6947.55. ■00	47				2200	670*970*2300
603.6042.55. ■00	42		1000	1000	2000	670*1070*2100
603.6047.55. ■00	47				2200	670*1070*2300
603.8642.55. ■00	42	800		600	2000	870*670*2100
603.8842.55. ■00	42			800	2000	870*870*2100
603.8942.55. ■00	42		900	2000	870*970*2100	
603.8042.55. ■00	42		1000	2000	870*1070*2100	

Note: Cabinet should not in flat packing.

May Installs The Fitting



Cable management
See page 163



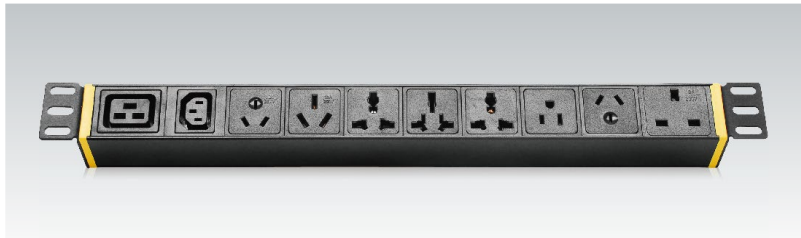
Blanking panel
See page 162



Fan units
See page 157



TC Digital Temperature Unit
See page 155



PDU
See page 153

PE Cabinets



Standard

- Comply with ANSI/EIARS-310-D, IEC60297-2, DIN41494; PART1; DIN41494; PART7 .

Material

- SPCC Cold Rolled Steel;
- 19" rails : 2.0mm, others: 1.2mm.

Colour

- PE 000000:RAL7035.
- PE 000001:RAL9004.

Loading Capacity

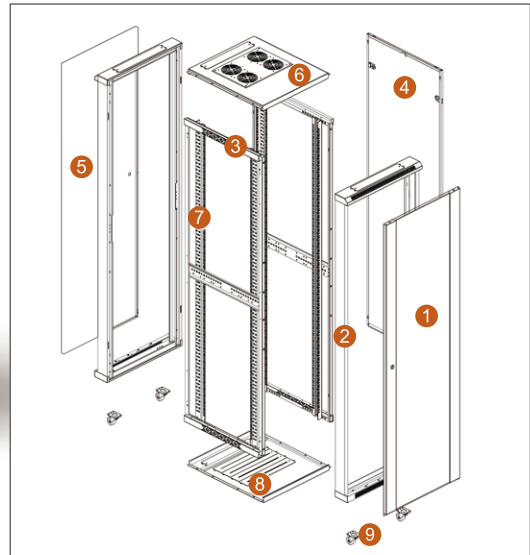
- Static loading:800KG.

PE NETWORK CABINETS



Feature

- Flat packing and patent frame. packing time is less than 20 minutes,
- Exquisite design with precise dimension and craftsmanship;
- Several styles of front and rear door options available;
- Adjustable feet and heavy duty castors are available simultaneously;
- Cable entry on the top cover and bottom panel with adjustable sizes ;
- Optional installation of plinth to enable cabinets fixation, under-base cable entry/ventilation;
- Efficient and reliable cabinet connection by baying kit;
- Removable side panels to ease maintain;



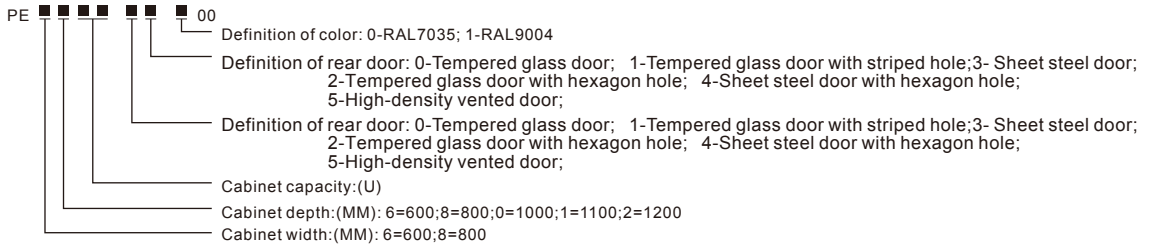
Main Part

S/N	Specification	Qty	Material	Surface Finish	Remark
1	Front door	1	----	Powder coated	See next page
2	Frame	2	SPCC t1.2	Powder coated	----
3	Side frame	2	SPCC t1.2	Powder coated	----
4	Side panel	2	SPCC t1.2	Powder coated	≥1000 width cabinets need 4 panels
5	Rear door	1	----	Powder coated	See next page
6	Top cover	1	SPCC t1.2	Powder coated	----
7	19" rails	4	SPCC t2.0	Powder coated	----
8	Bottom	1	SPCC t1.2	Powder coated	----
9	2" heavy duty castor	4	----	----	----
A	M12 adjustable feet	4	----	v	----
B	M6 screw& nuts	20	Steel	Color zinc	40pcs for over 33U
C	Trox tooling	1	Steel	Color zinc	----

The 600mm width cabinet can be changed to the 800mm width one, only need to put the connecting panel and 2 cable management slots. Support 19" EIA equipment.

PE NETWORK CABINETS

Definition Of Code



Ordering Information

Part Number.	Width (mm)	Depth(D)(mm)	Capacity (U)	Height(H)(mm)	CKD packing parts	
PE.6615. ■■■. ■00	600	600	15	800	3	
PE.6620. ■■■. ■00			20	1000		
PE.6624. ■■■. ■00			24	1200		
PE.6629. ■■■. ■00			29	1400		
PE.6633. ■■■. ■00			33	1600		
PE.6638. ■■■. ■00			38	1800		
PE.6642. ■■■. ■00			42	2000		
PE.6647. ■■■. ■00			47	2200		
PE.6815. ■■■. ■00		800	800	15		800
PE.6820. ■■■. ■00				20		1000
PE.6824. ■■■. ■00				24		1200
PE.6829. ■■■. ■00				29		1400
PE.6833. ■■■. ■00				33		1600
PE.6838. ■■■. ■00				38		1800
PE.6842. ■■■. ■00				42		2000
PE.6847. ■■■. ■00				47		2200
PE.6938. ■■■. ■00	900	900	38	1800	3	
PE.6942. ■■■. ■00			42	2000		
PE.6947. ■■■. ■00			47	2200		
PE.6038. ■■■. ■00	1000	1000	38	1800		
PE.6042. ■■■. ■00			42	2000		
PE.6047. ■■■. ■00			47	2200		
PE.8638. ■■■. ■00	800	600	38	1800		4
PE.8642. ■■■. ■00			42	2000		
PE.8647. ■■■. ■00			47	2200		
PE.8838. ■■■. ■00		800	800	38	1800	
PE.8842. ■■■. ■00				42	2000	
PE.8847. ■■■. ■00				47	2200	
PE.8938. ■■■. ■00		900	900	38	1800	
PE.8942. ■■■. ■00				42	2000	
PE.8947. ■■■. ■00				47	2200	
PE.8038. ■■■. ■00		1000	1000	38	1800	
PE.8042. ■■■. ■00				42	2000	
PE.8047. ■■■. ■00				47	2200	

Packing dimensions: Carton width=cabinet width+40mm, Carton depth=cabinet depth+40mm, Carton height=cabinet height+90mm

PE NETWORK CABINETS



- Front & rear door (type 0)
Tempered glass door.
Small lock;
Reversible right or left handed doors;
Turning angle is over 180 degrees;
- Material:
Sheet steel
5MM safety glass
- Surface Finish: Powder coated
- Color: RAL7035; RAL9004



- Front & rear door (type 1)
Tempered glass door with striped hole.
Gray decoration bar;
Small lock;
Reversible right or left handed doors;
Turning angle is over 180 degrees;
- Material:
Sheet steel
5MM safety glass
- Surface Finish □ Powder coated
- Color: RAL7035; RAL9004



- Front & rear door (type 2)
Tempered glass door with net hole.
Gray decoration bar;
Lock with comfort handle;
Reversible right or left handed doors;
Turning angle is over 180 degrees;
- Material:
Sheet steel
5MM safety glass
- Surface Finish □ Powder coated
- Color: RAL7035; RAL9004



- Front & rear door (type 3)
Sheet steel door.
Small lock;
Reversible right or left handed doors;
Turning angle is over 180 degrees;
- Material:
Sheet steel
- Surface Finish □ Powder coated
- Color: RAL7035; RAL9004



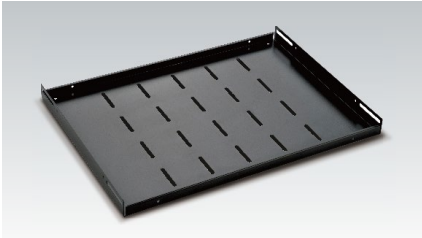
- Front & rear door (type 4)
Sheet steel door with hexagon hole.
Small lock;
Reversible right or left handed doors;
Turning angle is over 180 degrees;
- Material:
Sheet steel
- Surface Finish □ Powder coated
- Color: RAL7035; RAL9004



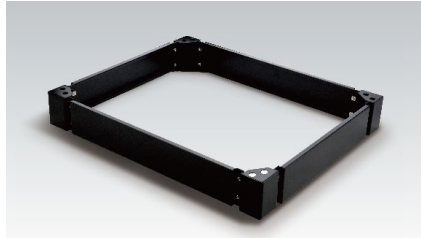
- Front & rear door (type 5)
High-density vented door;
Slotted surface (SW7 hexagon) Air inlet opening >60%;
Lock with comfort handle;
Reversible right or left handed doors;
Turning angle is over 180 degrees;
- Material: Sheet steel
- Surface Finish □ Powder coated
- Color: RAL7035; RAL9004

PE NETWORK CABINETS

May Installs The Fitting



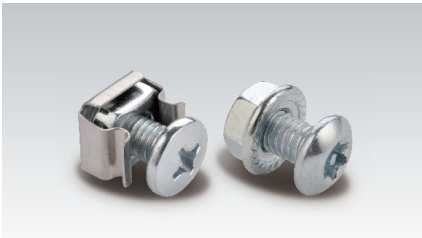
Shelf
See page 160



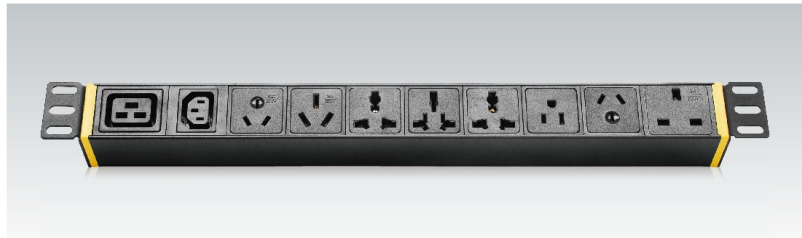
Plinth
See page 166



Fan units
See page 157



M6 Screws & nets
See page 164

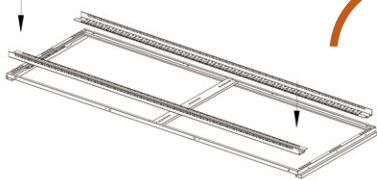


PDU
See page 153

Assembling Draft

Attention

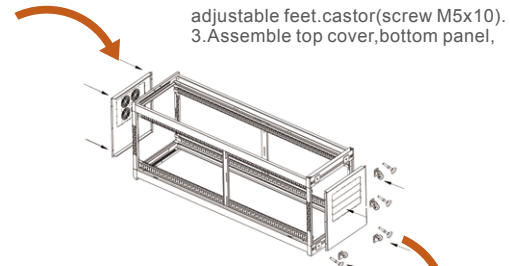
Please remove front/back door and side plane from the frame prior to unpacking



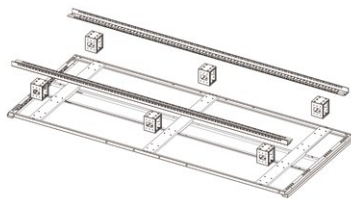
600mm).(Screw M6x12 & nuts).
1A.Assemble mounting rail(only width



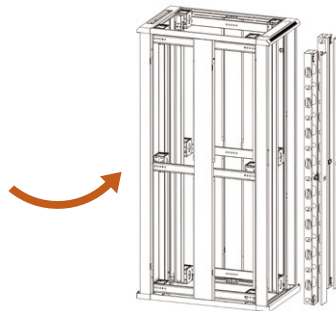
600mm).(Screw M6x12 & nuts).
2A.Assemble frame(only width



adjustable feet.castor(screw M5x10).
3.Assemble top cover,bottom panel,



(Screw M6x12 & nuts).
rail and spacer (only width 800mm).
1B.Assemble mounting



slot(only width 800mm).(screw M5x10).
2B.Assemble frame,cable management



door and side panel.
4.Assemble front/rear

TE Cabinets



Standard

- Comply with ANSI/EIA RS-310-D, IEC60297-2, DIN41494;PART1; DIN41494;PART7

Material

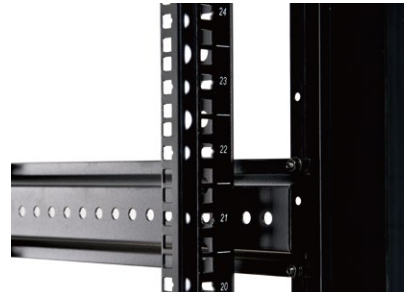
- SPCC Cold Rolled Steel ;
- 19" rails:1.5mm, others: 1.0mm

Colour

- TE. 0 :RAL7035
- TE. 1 :RAL9004

Loading Capacity

- Static loading: 400KG

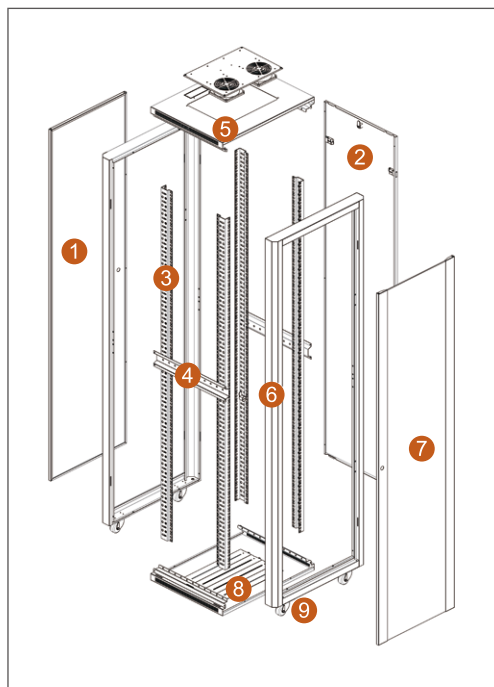


- 19" Profile with scale, movable forward and backward.



- 45 degree corner framework.

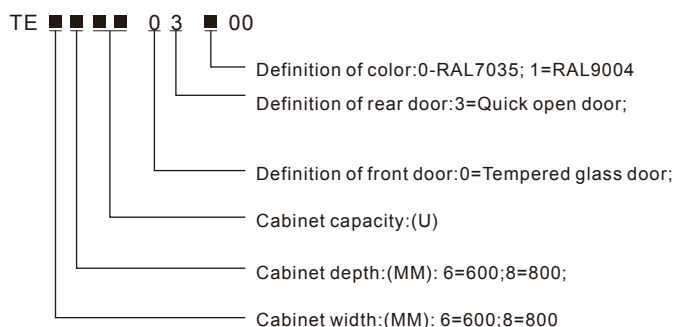
TE BUDGET CABINETS



Feature

- Exquisite design with precise dimension and craftsmanship □
- Within the cavity in front and back the door be style □
- Adjustable feet and heavy duty castors are available simultaneously □
- Modular quick disassembling □
- Optional installation of plinth to enable cabinets fixation, under-base cable entry/ventilation;
- Efficient and reliable cabinet connection by buying kit □
- Removable side panel&rear door to Quick open steel door ease maintain.

Definition Of Code



Main Part

S/N	Specification	Qty	Material	Surface Finish	Remark
1	Rear door	1	SPCC t1.0	Powder coated	----
2	Side panel	2	SPCC t1.0	Powder coated	----
3	19" rails	4	SPCC t1.5	Powder coated	----
4	Mounting angle	2	SPCC t1.0	Powder coated	----
5	Top cover	1	SPCC t1.0	Powder coated	----
6	Frame	2	SPCC t1.0	Powder coated	----
7	Front door	1	----	----	Tempered glass door
8	Bottom	1	SPCC t1.0	Powder coated	----
9	2" heavy duty castor	4	----	----	----
hardware kits with cabinet:					
A	M12 adjustable feet	4	Steel	Zinc-plated	Height:100MM
B	M6 screw& nuts	20	Steel	Zinc-plated	40pcs for over 27U
C	Trox tooling	1	Steel	Zinc-plated	----

Specification

Part Number.	Width (mm)	Depth(D)(mm)	Capacity(U)	Height(H)(mm)
TE.6621. ■ ■ ■ . ■ 00	600	600	21	1020
TE.6627. ■ ■ ■ . ■ 00			27	1290
TE.6636. ■ ■ ■ . ■ 00			36	1690
TE.6642. ■ ■ ■ . ■ 00			42	1955
TE.6647. ■ ■ ■ . ■ 00			47	2180
TE.8842. ■ ■ ■ . ■ 00	800	800	42	1955
TE.8847. ■ ■ ■ . ■ 00			47	2180